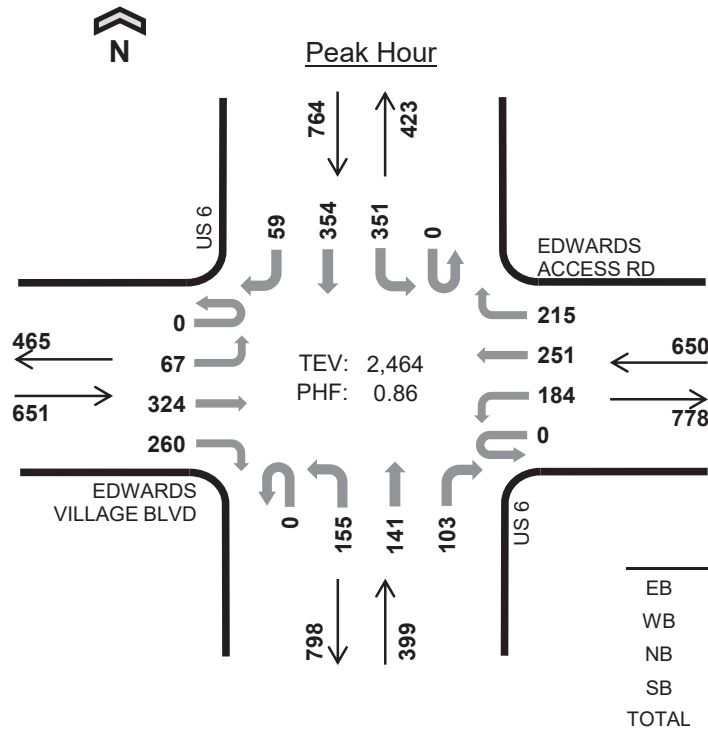
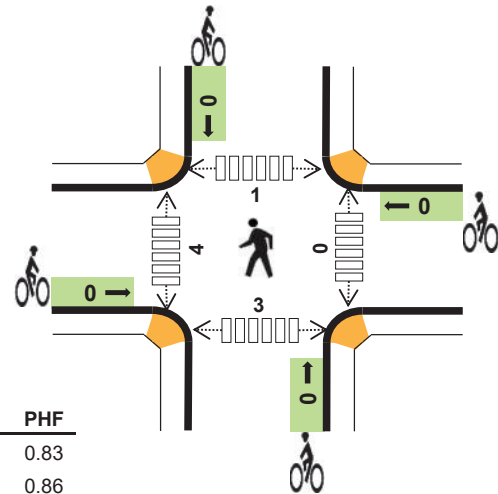


## US 6 EDWARDS VILLAGE BLVD



Date: Tue, Jan 29, 2019  
 Count Period: 7:00 AM to 9:00 AM  
 Peak Hour: 7:30 AM to 8:30 AM



	HV %:	PHF
EB	0.8%	0.83
WB	2.0%	0.86
NB	1.3%	0.88
SB	1.4%	0.85
TOTAL	1.4%	0.86

### Two-Hour Count Summaries

Interval Start	EDWARDS VILLAGE BLVD				EDWARDS ACCESS RD				US 6				US 6				15-min Total	Rolling One Hour
	Eastbound				Westbound				Northbound				Southbound					
	UT	LT	TH	RT	UT	LT	TH	RT	UT	LT	TH	RT	UT	LT	TH	RT		
7:00 AM	0	2	33	25	0	15	17	21	0	8	15	18	0	45	24	11	234	0
7:15 AM	0	5	48	33	0	23	23	36	0	17	20	14	0	57	48	18	342	0
7:30 AM	0	19	79	59	0	27	43	35	0	30	22	22	0	96	82	19	533	0
7:45 AM	0	28	78	79	0	53	69	68	0	48	41	24	0	100	107	19	714	1,823
8:00 AM	0	12	110	73	0	48	70	68	0	35	42	35	0	88	88	12	681	2,270
8:15 AM	0	8	57	49	0	56	69	44	0	42	36	22	0	67	77	9	536	2,464
8:30 AM	0	11	45	54	0	50	56	42	0	48	27	14	0	57	50	9	463	2,394
8:45 AM	0	8	51	50	0	41	56	35	0	49	46	23	0	57	48	9	473	2,153
Count Total	0	93	501	422	0	313	403	349	0	277	249	172	0	567	524	106	3,976	0
Peak Hour	0	67	324	260	0	184	251	215	0	155	141	103	0	351	354	59	2,464	0

Note: Two-hour count summary volumes include heavy vehicles but exclude bicycles in overall count.

Interval Start	Heavy Vehicle Totals					Bicycles					Pedestrians (Crossing Leg)				
	EB	WB	NB	SB	Total	EB	WB	NB	SB	Total	East	West	North	South	Total
7:00 AM	2	5	1	2	10	0	0	0	0	0	0	0	0	1	1
7:15 AM	1	5	2	4	12	0	0	0	0	0	0	0	0	0	0
7:30 AM	2	2	1	3	8	0	0	0	0	0	0	1	0	1	2
7:45 AM	3	6	1	2	12	0	0	0	0	0	0	1	0	1	2
8:00 AM	0	3	2	4	9	0	0	0	0	0	0	0	0	1	1
8:15 AM	0	2	1	2	5	0	0	0	0	0	0	2	1	0	3
8:30 AM	0	5	1	2	8	0	0	0	0	0	0	0	0	0	0
8:45 AM	1	4	2	0	7	0	0	0	0	0	1	0	0	2	3
Count Total	9	32	11	19	71	0	0	0	0	0	1	4	1	6	12
Peak Hour	5	13	5	11	34	0	0	0	0	0	0	4	1	3	8